

Morskate®

Fuel Coolers



Bowman have been manufacturing marine heat exchangers for many years and have built up an enviable reputation for quality and reliability. We have recently introduced our fuel cooler range to meet the requirement on modern marine diesel engines for fuel cooling.

With increasing exhaust omission regulations, manufacturers have been turning to digitally controlled high pressure common rail fuel injection systems on their engines. This generates much higher diesel fuel temperatures and flows in the return lines to the fuel tanks.

This can cause problems, particularly in marine applications where fuel tanks are in enclosed spaces with little or no air flow over them to prevent heat build up. Excessive heat build up in the fuel tanks can be dangerous and also engines using warm fuel suffer a significant power loss.

To overcome these problems, a Bowman sea water cooled fuel cooler should be fitted in the low pressure return line to the fuel tank to eliminate the build up of heat.

The actual amount of heat to be dissipated from the return fuel is very small. The size of Bowman cooler is always the smallest one that will take the full sea water flow of the engine.

All Bowman marine products are manufactured using 90/10 cupronickel tubes on the sea water side. This is a very corrosive resistant material and is suitable for use in harsh sea water environments.

Our fuel coolers are shown with their dimensions and maximum allowable sea water flow on the reverse side of the brochure.

Any questions? Please contact us.

Morskate Aandrijvingen BV
Oosterveldsingel 47A
7558 PJ Hengelo (Ov)
The Netherlands

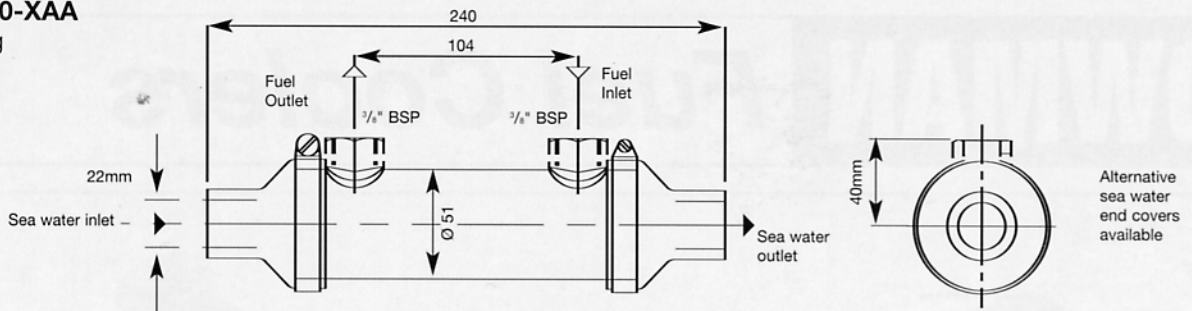
NL
T +31 (0)74 - 760 11 11
info@morskateaandrijvingen.nl
www.morskateaandrijvingen.nl

DE
T +49 692 - 222 34 95
info@morskateantriebstechnik.de
www.morskateantriebstechnik.de

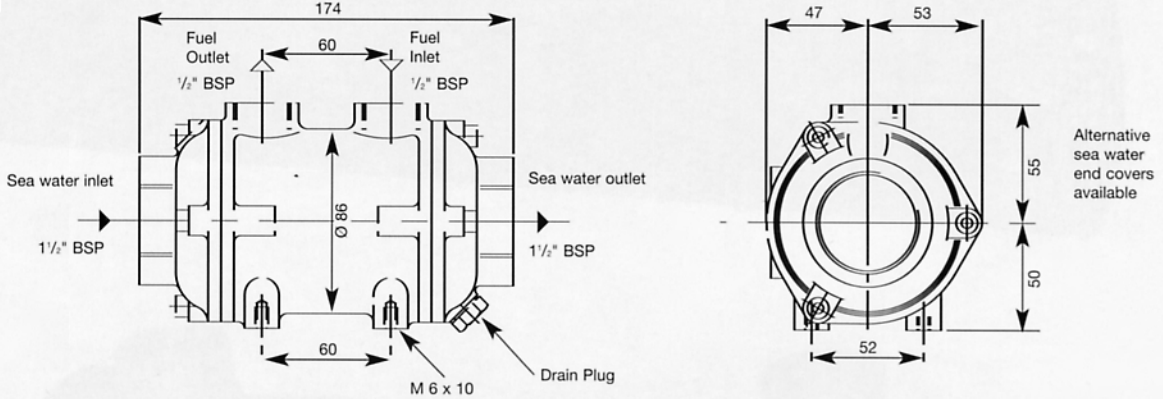
EN
T +31 (0)74 - 760 11 11
info@morskatedrivetechnology.com
www.morskatedrivetechnology.com

DC60-XAA

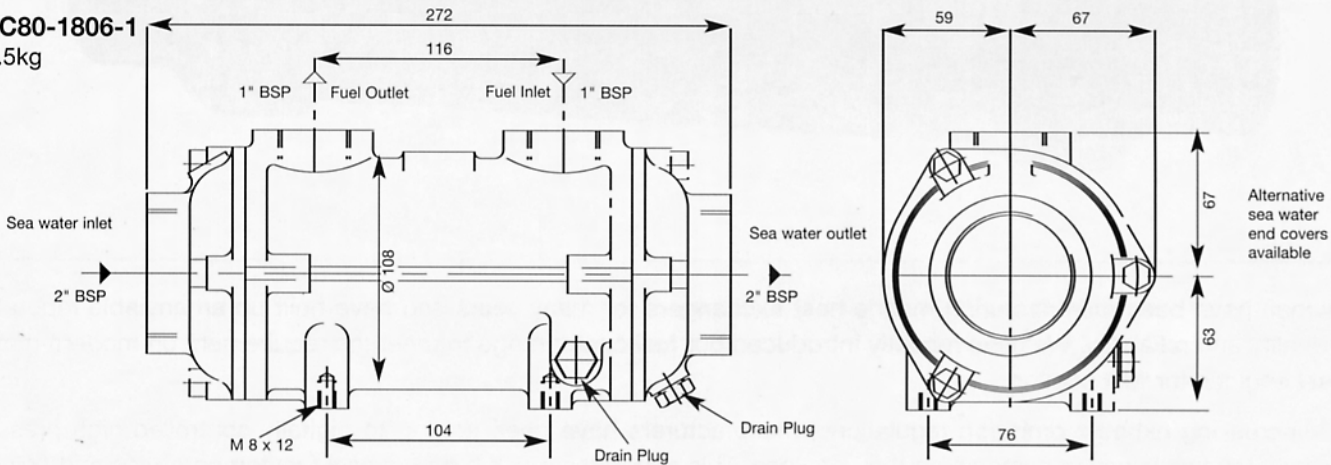
1.1kg

**MAXIMUM SEA WATER FLOW RATE 100 L/M (approximate engine power 215HP or 160kW)****EC80-1805-1**

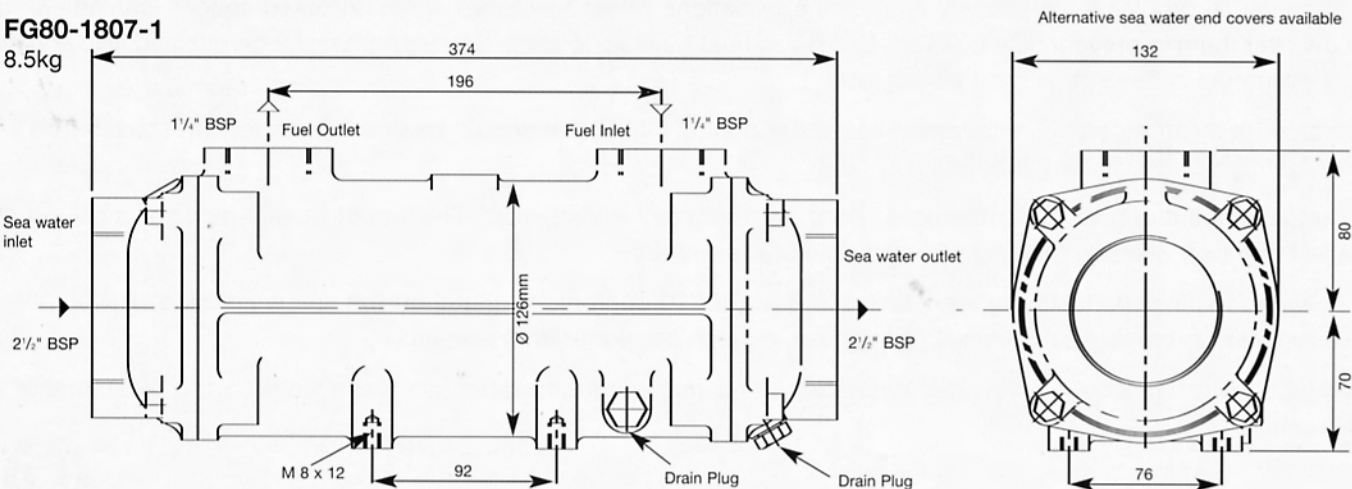
2.4kg

**MAXIMUM SEA WATER FLOW RATE 180 L/M (approximate engine power 400HP or 300kW)****FC80-1806-1**

5.5kg

**MAXIMUM SEA WATER FLOW RATE 270 L/M (approximate engine power 600HP or 450kW)****FG80-1807-1**

8.5kg

**MAXIMUM SEA WATER FLOW RATE 370 L/M (approximate engine power 830HP or 620kW)**

All dimensions in mm.